

◆ Product Parameter



Description:

Pneumatic hammer, also known as air percussion hammer(national patent), which is characterized by big impact force, simple structure and easy to use, effectively solving the problems of powder material sticky, hanging, congestion, bridge and so on. Big impact, low noise, a variety of models to choose, impact and action time can be controlled, easy to install and used in the explosion-proof, dust, moisture and other environment. It is widely used in fertilizer, chemical, food, medical care, pesticides, glass, cement and other industries. Aluminum structure, high intensity, single/ impact strength, light weight, adjustable shock interval.

No need to add fuel, environmentally-friendly.

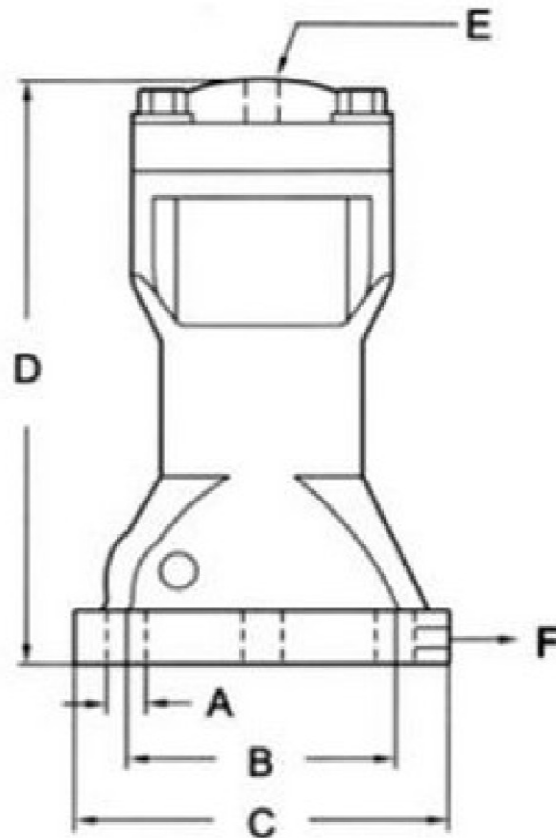
During operation, pneumatic shell knocker does not add any oil. Therefore, there is no leakage problems and suitable for factory work environment.

Products using pneumatic supply system, without having to install drip device which can not only reduce costs but also reduce the drop of control equipment maintenance burden, benefit for the customer.

Products are tested through knocking by 100 million times, simple structure and maintenance-free.

High level of durable design and simple construction of basic performance without maintenance, there is no need to keep separate stocks of spare parts. This pneumatic device - Kechuan series are received many praise by customers due to less failure and without maintenance.

◆ Product Parameter



Size Table:

Model	Size						Parameter			
	A	B	C	D	E	F	Pressure MPA	Air Consumption L/time	Impact Energy(N.M)	Weight
SX30	9	67	82	135	1/4"PT	1/8"PT	0.3~0.7	0.05~0.13	5.5~13.1	1.1Kg
SX40	11	77	98	175	1/4"PT	1/8"PT	0.3~0.7	0.15~0.37	9.2~22.3	2.7Kg
SX60	12.5	110	143	220	1/4"PT	1/4"PT	0.3~0.7	0.33~0.77	20.6~49.0	6.0Kg
SX80	17	140	170	275	3/8"PT	3/8"PT	0.4~0.6	0.60~1.40	45.1~109.0	12.5Kg

Warning: Pneumatic vibrators can damage to device, if excessive vibration force, adjust to proper pressure.